



PNEUTORQUE® PTS™ SERIES



The PTS™ is the result of an extensive design project to produce an efficient air motor, purpose built for this application in an accurate torque tool. The new air motor is then married to Norbar’s respected gearbox range, sharing common torque reaction accessories with PTM and EvoTorque® tools.

- Models 500 – 7000 N·m with pistol grip handle
- Designed to offer excellent power-to-weight ratio
- Up to 2.5 kg weight saving compared with PT equivalents
- Easily accessible switch for forward and reverse operation
- ±3% repeatability of reading from 20% to 100% of range
- Air coupling designed for safety and rapid operation
- Quiet operation - The sound pressure level is 77 dB(A) [the PTS™ 4000 N·m is 79 dB(A)]. Uncertainty K=3 dB. The sound emission values were determined according to BS EN ISO 11148-6
- Directional exhaust barrel directs exhaust away from operator
- Replaceable square drive
- Fast operation for rapid bolt rundown. Up to 60% faster than the previous PT model.
- Non-impacting- exceptionally low vibration levels, (0.343m/s²) make these tools comfortable and safe for operator use.
- Steel reactions supplied as standard. Bespoke reactions available

11 PTS™-52 SERIES - STALL TOOLS - BI-DIRECTIONAL

180241.B06	¾" sq. dr. 100 - 500 N·m, 74 - 370 lbf·ft
180242.B06	¾" sq. dr. 160 - 800 N·m, 118 - 590 lbf·ft

11 PTS™-72 SERIES - STALL TOOLS - BI-DIRECTIONAL

180243.B06	¾" sq. dr. 200 - 1000 N·m, 147 - 738 lbf·ft
180244.B08	1" sq. dr. 270 - 1350 N·m, 200 - 1000 lbf·ft
180245.B08	1" sq. dr. 400 - 2000 N·m, 295 - 1475 lbf·ft

11 PTS™-80 SERIES - STALL TOOLS - BI-DIRECTIONAL

180246.B08	1" sq. dr. 540 - 2700 N·m, 398 - 1991 lbf·ft
------------	--

11 PTS™-92 SERIES - STALL TOOLS - BI-DIRECTIONAL

180250.B08	1" sq. dr. 800 - 4000 N·m, 590 - 2950 lbf·ft
180250.B12	1½" sq. dr. 800 - 4000 N·m, 590 - 2950 lbf·ft

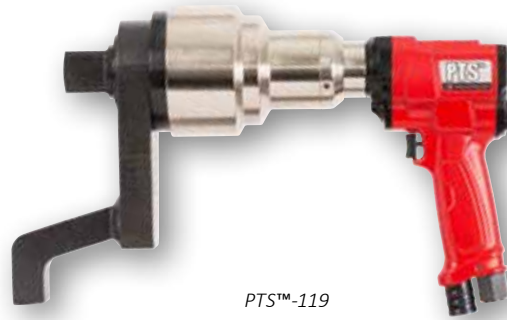
11 PTS™-119 SERIES - STALL TOOLS - BI-DIRECTIONAL

180248.B12	1½" sq. dr. 1200 - 6000 N·m, 885 - 4425 lbf·ft
180249.B12	1½" sq. dr. 1400 - 7000 N·m, 1030 - 5200 lbf·ft

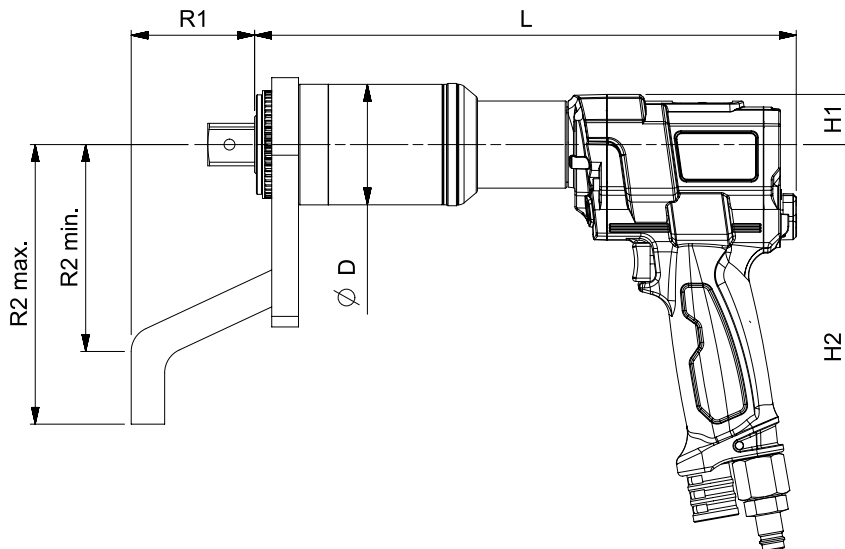




PNEUTORQUE® PTS™ SERIES



Model	PTS™-52-500 PTS™-52-800	PTS™-72-1000 PTS™-72-1350	PTS™-72-2000	PTS™-80-2700	PTS™-92-4000	PTS™-119-6000 PTS™-119-7000	
Part Number/s	180241.B06 180242.B06	180243.B06 180244.B08	180245.B08	180246.B08	180250.B08 180250.B12	180248.B12 180249.B12	
Output Speed (rpm)	35.5 (PTS™-52-500) 25.7 (PTS™-52-800)	20.4 (PTS™-72-1000) 14.7 (PTS™-72-1350)	9.2	7.3	5.3	2.6	
Dimensions (mm)	ØD	Ø52	Ø72	Ø72	Ø80	Ø92	Ø119
	H1	30	30	30	30	30	30
	H2	243	243	243	243	243	243
	L	263	290	324	290	347	369
	R1	59	76	76	76	70	90
	R2 min.	71	124	124	124	125	162
	R2 max.	131	167	167	167	175	210
Tool Weight (kg)	4.2	6.24	6.6	6.15	8.95	12.52	
Reaction Weight (kg)	0.85	1.4	1.4	1.4	2.5	3.8	





PNEUTORQUE® PTS™ REMOTE



New Range



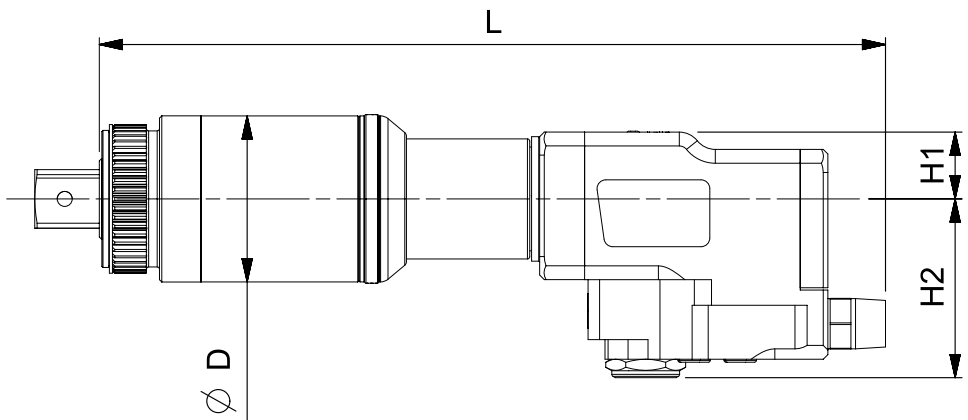
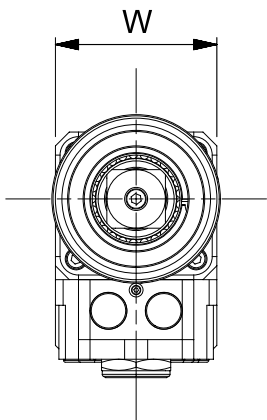
Remote control versions have no direction control on the tool but rely on external pneumatic circuitry to provide this function. This opens up numerous application possibilities for the PneuTorque® ranging from simple stall shut-off in a hazardous working environment to sophisticated, multi-spindle torque and angle shut-off systems.

- Designed to offer excellent power-to-weight ratio
- ±3% repeatability of reading from 20% to 100% of range
- Replaceable square drive

NOTE: For full versatility, PTS™ Remotes are supplied without reaction see pages 65-66 for options or discuss bespoke engineered options with Norbar.

11	PTS™ REMOTE SERIES
180271.B06	¾" sq. dr. 100 - 500 N-m, 74 - 370 lbf-ft
180272.B06	¾" sq. dr. 160 - 800 N-m, 118 - 590 lbf-ft
180273.B06	¾" sq. dr. 200 - 1000 N-m, 147 - 738 lbf-ft
180274.B08	1" sq. dr. 270 - 1350 N-m, 200 - 1000 lbf-ft
180275.B08	1" sq. dr. 400 - 2000 N-m, 295 - 1475 lbf-ft
180276.B08	1" sq. dr. 540 - 2700 N-m, 398 - 1991 lbf-ft
180295.B08	1" sq. dr. 800 - 4000 N-m, 590 - 2950 lbf-ft
180295.B12	1½" sq. dr. 800 - 4000 N-m, 590 - 2950 lbf-ft
180279.B12	1½" sq. dr. 1400 - 7000 N-m, 1030 - 5200 lbf-ft

Model	PTS™ REMOTE 52-500	PTS™ REMOTE 52-800	PTS™ REMOTE 72-1000	PTS™ REMOTE 72-1350	PTS™ REMOTE 72-2000	PTS™ REMOTE 80-2700	PTS™ REMOTE 92-4000	PTS™ REMOTE 92-4000	PTS™ REMOTE 119-7000	
Part Number/s	180271.B06	180272.B06	180273.B06	180274.B08	180275.B08	180276.B08	180295.B08	180295.B12	180279.B12	
Output Speed (rpm)	27.8	20.1	16	11.5	7.2	5.7	4.1	4.1	2	
Dimensions (mm)	ØD	52	52	72	72	72	80	92	119	
	H1	29	29	29	29	29	29	29	29	
	H2	78	78	78	78	78	78	78	78	
	L	284	284	311	311	344	311	362	362	385
	W	70	70	70	70	70	70	70	70	70
Tool Weight (kg)	4.1	4.1	6.14	6.14	6.5	6.05	8.85	8.85	12.42	

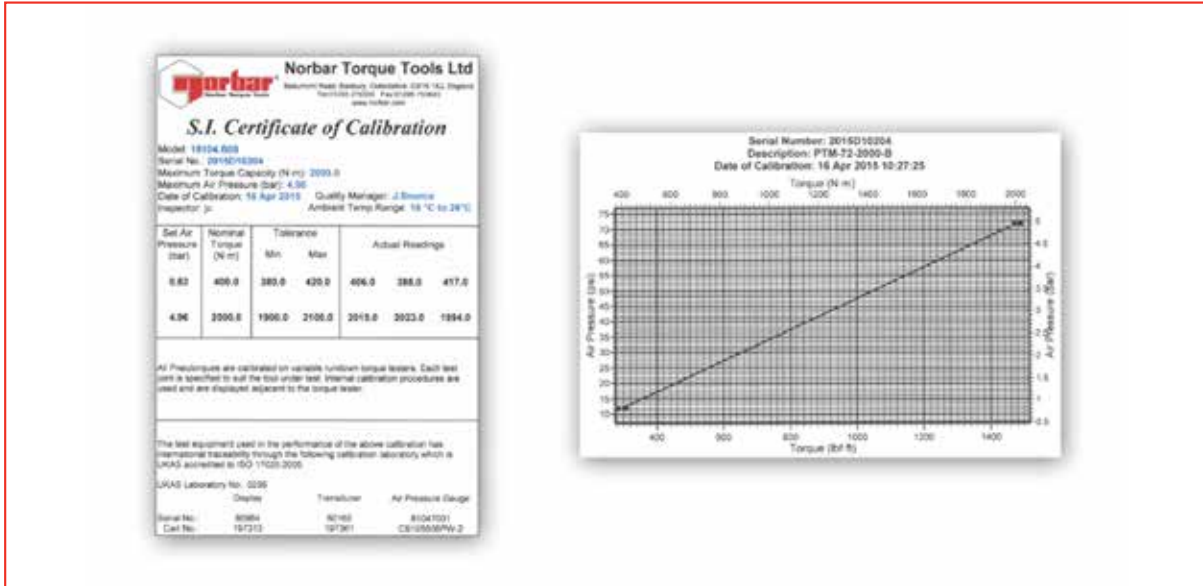




PNEUTORQUE® PTM



Using twin motor technology, the PTM series of PneuTorques is engineered to be amongst the lightest and fastest on the market. For example, the 800 N·m version has a gearbox diameter of just 52mm, allowing excellent bolt access, and has a maximum free running speed of 224 rpm. Torque control is normally achieved by adjustment of air pressure. An air pressure versus torque graph and a calibration certificate is supplied with each tool.



PTM-52, PTM-72 and PTME-72 also offer the option of electronic torque control in two versions. Both versions incorporate a torque transducer on the output of the tool. Internal Control (IC) tools have a torque display, user interface and a solenoid valve to shut-off the air supply at a pre-determined torque. External Control (EC) tools incorporate a solenoid valve and three coloured LEDs for the indication of low, within tolerance or high results. However, all control functions and torque display are housed in an external controller unit (purchased separately). External controllers can give a much greater range of functionality than is possible on the IC version of the tools.

- Exceptionally compact 52mm and 72mm gearboxes result in light, well balanced tools
- Fitted with a light robust aluminium reaction plate as standard
- Other reaction plates are available for maximum versatility
- Quiet- less than 83 dB(A) when free running
- Fast operation for rapid bolt run-down
- Internal Control (IC) versions incorporate torque transducer, torque setting and display panel and solenoid valve to shut off the air supply at the desired torque
- External Control (EC) versions incorporate torque transducer and output for an external controller. Ideal for production lines
- IC and EC tools have an accuracy of ±2%
- ±5% repeatability of reading from 20% to 100% of range



Internal Control (IC) Panel



External Control (EC) Panel



PNEUTORQUE® PTM



11 PTM-52 SERIES - STALL TOOLS - BI-DIRECTIONAL*

18100.B06	3/4" sq. dr. 100 - 500 N·m, 74 - 370 lbf-ft
18101.B06	3/4" sq. dr. 160 - 800 N·m, 118 - 590 lbf-ft

*Comes supplied in a carry case.

Stall tools are also available as forward only tools, replace B with F when ordering.

11 PTM-52 SERIES - SHUT-OFF TOOLS - BI-DIRECTIONAL - INTERNAL

18110.B06	3/4" sq. dr. 100 - 500 N·m, 74 - 370 lbf-ft (IC)
18111.B06	3/4" sq. dr. 160 - 800 N·m, 118 - 590 lbf-ft (IC)

11 PTM-52 SERIES - SHUT-OFF TOOLS - BI-DIRECTIONAL - EXTERNAL (Requires Tool Controller, see page 75)

18120.B06	3/4" sq. dr. 100 - 500 N·m, 74 - 370 lbf-ft (EC)
18121.B06	3/4" sq. dr. 160 - 800 N·m, 118 - 590 lbf-ft (EC)

11 PTM-52 SERIES WITH ANGLE CONTROL

18125.B06	3/4" sq. dr. 100 - 500 N·m, 74 - 370 lbf-ft (IC)
18126.B06	3/4" sq. dr. 160 - 800 N·m, 118 - 590 lbf-ft (IC)
18136.B06	3/4" sq. dr. 160 - 800 N·m, 118 - 590 lbf-ft (EC)

All the above are supplied with a 3/4" square drive (Part No. 18544).

11 ACCESSORIES

18545	1" square drive for above tools
-------	---------------------------------

NOTE: Contact Norbar for more information on PTM-52 200 models

11 PTM-72 SERIES - STALL TOOLS - BI-DIRECTIONAL*

18102.B06	3/4" sq. dr. 200 - 1000 N·m, 147 - 738 lbf-ft
18103.B08	1" sq. dr. 270 - 1350 N·m, 200 - 1000 lbf-ft
18104.B08	1" sq. dr. 400 - 2000 N·m, 295 - 1475 lbf-ft

*Comes supplied in a carry case.

Stall tools are also available as forward only tools, replace B with F when ordering.

11 PTM-72 SERIES - SHUT-OFF TOOLS - BI-DIRECTIONAL - INTERNAL

18112.B06	3/4" sq. dr. 200 - 1000 N·m, 147 - 738 lbf-ft (IC)
18113.B08	1" sq. dr. 270 - 1350 N·m, 200 - 1000 lbf-ft (IC)
18114.B08	1" sq. dr. 400 - 2000 N·m, 295 - 1475 lbf-ft (IC)

11 PTM-72 SERIES - SHUT-OFF TOOLS - BI-DIRECTIONAL - EXTERNAL (Requires Tool Controller, see page 75)

18122.B06	3/4" sq. dr. 200 - 1000 N·m, 147 - 738 lbf-ft (EC)
18123.B08	1" sq. dr. 270 - 1350 N·m, 200 - 1000 lbf-ft (EC)
18124.B08	1" sq. dr. 400 - 2000 N·m, 295 - 1475 lbf-ft (EC)

11 PTM-72 SERIES WITH ANGLE CONTROL

18127.B06	3/4" sq. dr. 200 - 1000 N·m, 147 - 738 lbf-ft (IC)
18128.B08	1" sq. dr. 270 - 1350 N·m, 200 - 1000 lbf-ft (IC)
18129.B08	1" sq. dr. 400 - 2000 N·m, 295 - 1475 lbf-ft (IC)
18138.B08	1" sq. dr. 270 - 1350 N·m, 200 - 1000 lbf-ft (EC)

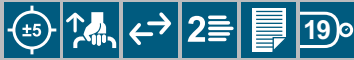


PTM-52 with Internal Control (IC) Panel





PNEUTORQUE® PTM



The PTM-92 and PTM-119 tools bring the speed advantage of the twin motor handle to higher capacity PneuTorque® models. These models deliver an ideal balance between robustness, speed and weight.

11 PTM-92 SERIES - STALL TOOLS - BI-DIRECTIONAL

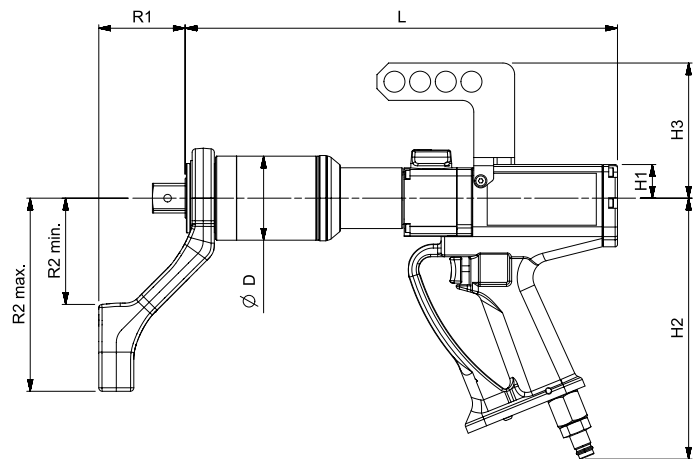
18106.B08	1" sq. dr. 540 - 2700 N·m, 400 - 2000 lbf·ft
18159.B08	1" sq. dr. 800 - 4000 N·m, 590 - 2950 lbf·ft
18159.B12	1½" sq. dr. 800 - 4000 N·m, 590 - 2950 lbf·ft

Also available as forward only tools, replace B with F when ordering. Stall tools are supplied in a carry case.

11 PTM-119 SERIES - STALL TOOLS - BI-DIRECTIONAL

18108.B12	1½" sq. dr. 900 - 4500 N·m, 660 - 3300 lbf·ft
18109.B12	1½" sq. dr. 1200 - 6000 N·m, 885 - 4425 lbf·ft

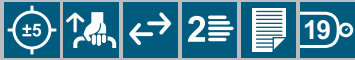
Also available as forward only tools, replace B with F when ordering. Stall tools are supplied in a carry case.



Model	PTM-52-500-B PTM-52-800-B	PTM-72-1000-B PTM-72-1350-B	PTM-72-2000-B	PTM-92-2700-B PTM-92-4000-B	PTM-119-4500-B PTM-119-6000-B	
Part Number/s	18100.B06 18101.B06	18102.B06 18103.B08	18104.B08	18106.B08 18159.B08 18159.B12	18108.B12 18109.B12	
Output Speed (rpm)	224 (PTM-52-500-B) 148 (PTM-52-800-B)	122 (PTM-72-1000-B) 86 (PTM-72-1350-B)	58	46 (PTM-92-2700-B) 32 (PTM-92-4000-B)	23 (PTM-119-4500-B) 15.5 (PTM-119-6000-B)	
Dimensions (mm)	ØD	52	72	72	92	119
	H1	29	29	29	29	29
	H2	224	224	224	224	224
	H3	116	116	116	116	116
	L	310	342	371	394	415
	R1	59	68	74	87	118
	R2 min.	71	91	91	115	150
	R2 max.	131	165	165	205	199
Tool Weight (kg)	4.1	6.1	6.5	8.5	13.3	
Reaction Weight (kg)	0.85	0.7	0.7	1.35	2.2	



PNEUTORQUE® PTME-72 SERIES



11 PTME-72 SERIES - STALL TOOLS - BI-DIRECTIONAL*

18140.B06	¾" sq. dr. 200 - 1000 N·m, 147 - 738 lbf-ft
18149.B08	1" sq. dr. 200 - 1000 N·m, 147 - 738 lbf-ft
18141.B08	1" sq. dr. 400 - 2000 N·m, 295 - 1475 lbf-ft

*Comes supplied in a carry case.

Stall tools are also available as forward only tools, replace B with F when ordering.

11 PTME-72 SERIES - SHUT-OFF TOOLS - BI-DIRECTIONAL - INTERNAL

18142.B06	¾" sq. dr. 200 - 1000 N·m, 147 - 738 lbf-ft (IC)
18143.B08	1" sq. dr. 400 - 2000 N·m, 295 - 1475 lbf-ft (IC)

11 PTME-72 SERIES - SHUT-OFF TOOLS - BI-DIRECTIONAL - EXTERNAL (Requires Tool Controller, see page 75)

18144.B06	¾" sq. dr. 200 - 1000 N·m, 147 - 738 lbf-ft (EC)
18145.B08	1" sq. dr. 400 - 2000 N·m, 295 - 1475 lbf-ft (EC)

Designed to meet the needs of the commercial vehicle market, the integrated reaction foot of the PTME-72 series of tools reaches recessed wheel bolts whilst the 72mm diameter gearbox handles the high frequency of use demanded by busy tyre shops.

- IC and EC tools have an accuracy of ±2%



Model	PTME-72-1000-B	PTME-72-2000-B
Part Number/s	18140.B06 18149.B08	18141.B08
Output Speed (rpm)	122	58
Dimensions (mm)	ØD	72
	H1	29
	H2	224
	H3	116
	L	403
	R1	81
	R2 min.	63
R2 max.	110	
Tool Weight (kg)	7.2	7.7

